

Technical features

Electrical

- Standard 230V, 50/60Hz power supply (others available on request)
- Lamp-holder type G 22 (GY 16 optional)
- 2m power supply cable (plug available on request)
- Strain relief cable clamp entry into light housing

Safety

- Safety mesh
- Filter-frame locking system
- Compliance to CE EN 60598-2-17 standards

Optical

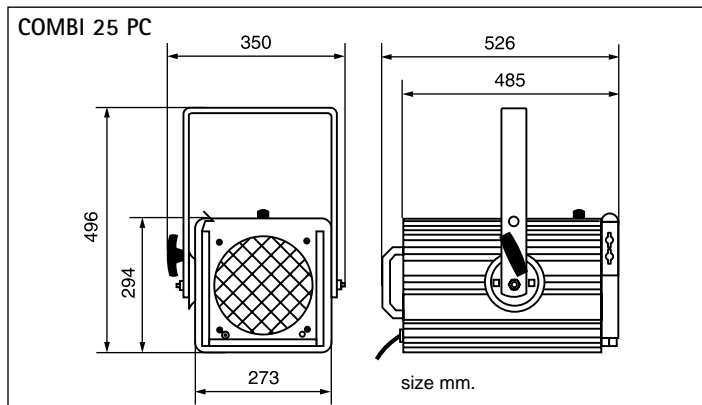
- Spherical reflector in 99.99% polished and treated aluminium: 150mm diameter
- 200mm diameter borosilicate lens mounted onto extended holders to allow ventilation

Mechanical

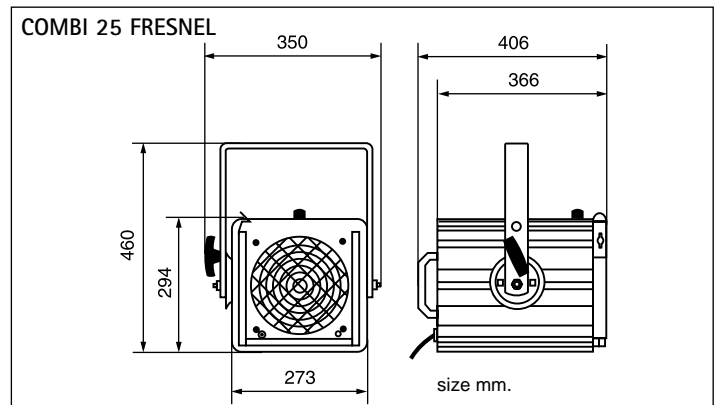
- Extruded aluminium and steel housing
- Black Epoxy Resin paint
- Labyrinth ventilation to avoid spill light

Operational

- Access for lamp maintenance from top removable cover
- Yoke with 10mm diameter hole, adjustable height, reversible and sliding into extruded rails to balance accessories and for use in any position
- Heat insulated knobs and handles
- Lamp-holder mounted onto an easily adjustable plate for 1000, 2000 and 2500W lamps
- Focus adjustment by an endless screw mechanism operated by rear knob



Net weight Kg 13.7 – Gross weight Kg 15.7 – Box volume m³ 0.086



Net weight Kg 10.8 – Gross weight Kg 12.7 – Box volume m³ 0.071

Information for ordering accessories and different versions

Code

• Combi 25 PC with safety net	COM 25 PC
• Combi 25 Fresnel with safety net	COM 25 F
Accessories	
• Colour filter frame	TC S25
• 4-door rotatable barndoors	PL 4 S25
• Safety bond	FUNE
• Theatre C-hook in black painted steel for 30 to 50mm diameter tubes	GAC
• TV C-hook in die-cast aluminium (PIVOT DIN adaptor required)	A8
• 29mm / M10 spigot adapter	PIVOT DIN
• Aluminium clamp for 50mm diameter tubes	HC / 500
• Superclamp	CLAMP
• Colour changing scroller, DMX 512 or 0/10V controlled	on request
Options	
• Clear lens for Combi 25 PC	on request
• 100-120V lamp version	on request
• GY 16 lampholder version	on request

Lamps

FilmTV/Theatre (3200 °K)

Type / Order code	CP75	CP92	CP91	CP72 on request
Power (W)	2000	2000	2500	2000
Lampholder	G22	G22	G22	GY16
Light-centre/base lamp distance (mm)	75	90	90	70
Luminous flux (Lumen)	52000	52000	65000	50000
Life time (hours)	480	400	450	480
Colour temperature (°K)	3200	3200	3200	3200
Supply voltage (V)	230	230	230	230
Nominal current (Amp.)	8.6	8.6	10.8	8.6